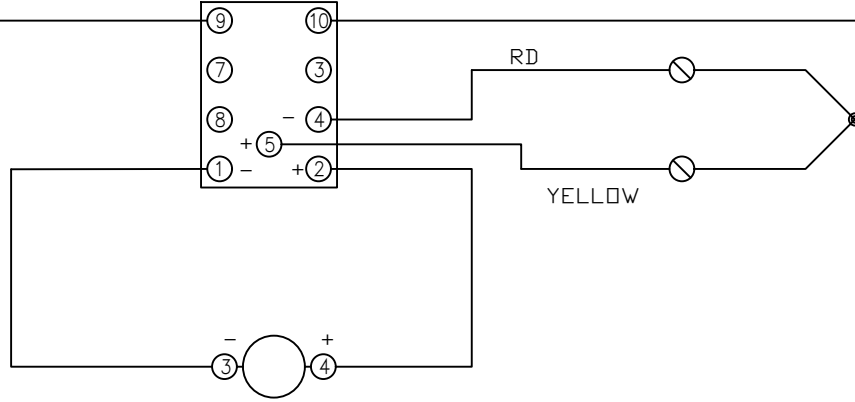


REV	DATE	CHANGE	TR NO.	REV BY.

POWER INPUT



E5CSV-Q1T-F105



HEATER POWER

S:\AFMMachines\88000\_KwikPrint\Digital\_Temp\_Controller\Electrical\88000\_KwikPrint\_Digital\_Temp\_Controller.dwg



1313 E. Borchard Ave  
Santa Ana, CA 92705

TITLE  
Kwik Print  
Digital Temp Controller

DRAWING NO. 88000\_KwikPrint\_Digital\_Temp\_Controller SHEET 1 OF 1

DESIGNED BY CSI	12/11/2022
DRAWN BY CSI	12/11/2022
CHECKED BY CSI	12/11/2022
APPROVED BY CSI	12/11/2022

A

B

C

D